

Version	2.0	Date	9/19/19
Prepared By	JC		

PRODUCT SPECIFICATION

Category	Floodlight
Item Number	7546
Stock Code	LED-FXFDL28/40K/WH
Mounting	Yoke Mount
Housing Color	White



ELECTRICAL CHARACTERISTICS			
Rated Wattage (W)	28	Replacement Wattage (W)	175
Tested Wattage (W)	27.96		
Input Voltage (V)	120-277	Surge Protect Level	-
Voltage Frequency (Hz)	50/60	Dimmable	-
Input Current (A)	0.245	AUX (12V) Line	-
Power Factor	>0.9		
THD	<20%		

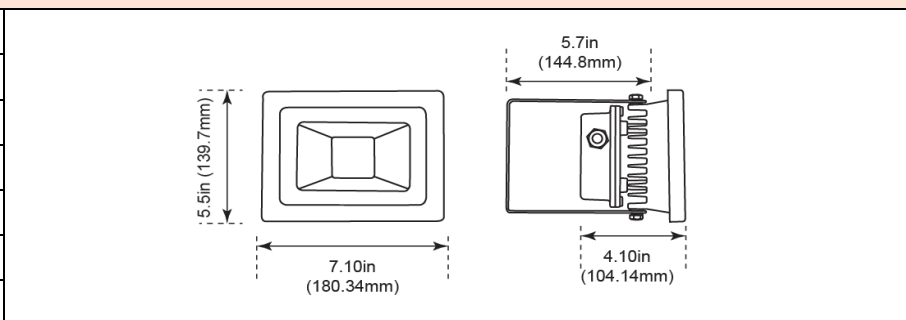
PHOTOMETRIC CHARACTERISTICS			
Lumen (lm)	3,010	CCT (K)	4000K
Efficacy (lm/w)	108	Beam Angle (°)	Flood
CRI	>70		

GENERAL CHARACTERISTICS	
Operating Temperature (°F)	-22°F ~ 122°F
Storage Temperature (°F)	-22°F ~ 122°F
IP Rating	IP65
Rated Life (Hrs)	50,000
Warranty (Yrs)	5

ACCESSORIES		
Item #	Stock Code	Description

PRODUCT DIMENSIONS

Width- in / (mm)	7.10"	180.34
Height- in / (mm)	5.50"	139.7
Depth- in / (mm)	5.70"	144.8
EPA (ft²)	-	-
Weight (lbs)	3.42	-
Mounting Height (ft)	-	-
Cable Length (ft)	-	-



CERTIFICATIONS			
UL/ETL	UL	CEC	
NSF/ETL Sanitation		JA8	
Energy Star		FCC	✓
DLC		RoHs	✓

DOCUMENTS			
LM79	✓	IES File	✓
LM80	✓	Dimmer List	

COMMENTS

--